

## European Technical Assessment

**ETA 19/0164**  
of 25.11.2019



### General part

#### Technical Assessment Body issuing the ETA: ITeC

ITeC has been designated according to Article 29 of Regulation (EU) No 305/2011 and is member of EOTA (European Organisation for Technical Assessment)

**Trade name of the construction product**

**Lateroyeso®**

**Product family to which the construction product belongs**

21- Internal partition kits  
Internal partition kits for use as non-loadbearing walls

**Manufacturer**

**FERCYSER SL**

C. Andrés Mellado 29, 6º C  
ES28015 MADRID  
Spain

**Manufacturing plant(s)**

Polígono Tambarria, La Senda  
ES26540 ALFARO (La Rioja)  
Spain

**This European Technical Assessment contains**

20 pages including 4 annexes which form an integral part of this assessment.

**This European Technical Assessment is issued in accordance with Regulation (EU) 305/2011, on the basis of**

European Assessment Document (EAD) 210005-00-0505  
*Internal partition kits for use as non-loadbearing walls.*

### **General comments**

Translations of this European Technical Assessment in other languages shall fully correspond to the original issued document and should be identified as such.

Communication of this European Technical Assessment, including transmission by electronic means, shall be in full. However, partial reproduction may be made, with the written consent of issuing Technical Assessment Body. Any partial reproduction has to be identified as such.

## Specific parts of the European Technical Assessment

### 1 Technical description of the product

Lateroyeso® is a kit for the construction of internal partition kits and independent linings for external walls, consisting of the following components:

- Lateroyeso® panels: 5 1/C, 6 LS, 7 LD, 8 LD, 10 LD, manufactured by Fercyser SL
- Gypsum based adhesive
- Gypsum plaster
- Gypsum
- Elasticised expanded polystyrene (EEPS) elastic bands

The insulation layer (if needed) is not part of the kit.

Other auxiliary components (mineral wool insulation, door and window frames, profiles, fixings, etc.), which are not part of the kit, are indicated in annex 3.

The ETA holder manufactures Lateroyeso® panels at its own manufacturing plant. The geometric design and the main characteristics of each panel are given in annex 1. The rest of the components of the kit shall conform to the specifications given in annex 2. The ETA holder is responsible for the kit.

Internal partitions are assembled by joining Lateroyeso® panels by means of a gypsum-based adhesive applied on the perimeter of the panel. An EEPS elastic band shall be used to separate the partition from the support. In cases with high acoustic demands, the EEPS elastic band shall be installed on the whole partition perimeter. Once mounted, the partition can be finished with a thin gypsum plaster or ceramic tiling.

The kit is installed in accordance with the manufacturer's instructions. The assembly of components and other details are shown in annex 4.

Annex 1 describes the geometry and the main characteristics each Lateroyeso® panel.

Annex 2 contains the description of materials and specifications of the components of the kit.

Annex 3 contains the generic specifications of the components not included as part of the kit.

Annex 4 shows the assembly of components and other essential details.

### 2 Specification of the intended use(s) in accordance with the applicable European Assessment Document (hereinafter EAD)

The assembled system is used in the following cases:

- Immoveable internal partitions for the interior of a building and independent linings for external walls (functions **a** and **c**, as indicated in section 1.1 of EAD 210005-00-0505).
- With fire separating and acoustic insulation capabilities.

The assemblies considered in this ETA are shown in table 2.1.

<b>Single leaf partition</b>	<b>Use (2)</b>
Lateroyeso® 5 1/C	Function c
Lateroyeso® 6 LS	Function a and c
Lateroyeso® 7 LD	Function a and c
Lateroyeso® 8 LD	Function a and c
Lateroyeso® 10 LD	Function a and c
<b>Double leaf partition (1)</b>	
Lateroyeso® 6 LS + MW (5 cm) + 6 LS	Function a, in high acoustic demands
Lateroyeso® 6 LS + MW (5 cm) + 7 LD	Function a, in high acoustic demands
Lateroyeso® 6 LS + MW (4 cm) + 8 LD	Function a, in high acoustic demands

Notes:

(1) MW stands for mineral wool insulation.

(2) According to section 1.1 of the EAD 210005-00-0505:

- Function a: the primary function of the partition is to divide the interior of a building.
- Function c: the partition is used as an independent lining for an external wall.

**Table 2.1:** Lateroyeso® assemblies.

They kit is used under the following conditions:

- Structures capable of giving adequate support and adequate possibilities for fixing.
- An average air temperature in the range from 5 °C to 35 °C with a minimum of 0 °C and a maximum of 50 °C.
- An average daily air relative humidity in the range from 20% RH to 75% RH. Maximum air relative humidity only exceeding 85% RH for short periods of time.
- Zones accessible to users with a certain level of incentive to exercise care. These zones are divided into use categories as shown in tables 3.5 and 3.6.
- According to table 1 of section 2.1.2 of EAD 210005-00-0505, the area category of the system as specified in Eurocode 1 is: A-B, C1-C4 and D1-D2.
- Zones where surface requirements with respect to hygiene, air quality, static electricity, etc. are of the same nature and magnitude as those in dwelling, offices, schools, institutions, etc.

Lateroyeso® non-loadbearing kit may include installations for gas, electricity, water or drainage, although those are not object of this ETA.

The provisions made in this ETA are based on an assumed working life of at least 25 years for Lateroyeso® partitions, provided that the kit is subjected to appropriate use and maintenance. These provisions are based upon the current state of the art and the available knowledge and experience.

The indications given on the working life cannot be interpreted as a guarantee given by the producer but are to be regarded only as a means for choosing the right products in relation to the expected economically reasonable working life of the works.

### **3 Performance of the product and reference to the methods used for its assessment**

Performance of Lateroyeso® partition kit related to the basic requirements for construction works (hereinafter BWR) were determined according to EAD 210005-00-0505 *Internal partition kits for use as non-loadbearing walls*. Essential characteristics of Lateroyeso® are indicated in table 3.1.

Basic Works Requirement	ETA section	Essential characteristic	Performance
BWR 2	3.1	Reaction to fire	See clause 3.1
Safety in case of fire	3.2	Resistance to fire	See clause 3.2
BWR 3	---	Content and/or release of dangerous substances	Not assessed
Hygiene, health and the environment	3.3	Water vapour permeability	See clause 3.3
	3.4	Resistance to structural damage and functional failure from horizontal loads	See tables 3.5 and 3.6
	3.5	Resistance to structural damage and functional failure from eccentric vertical loads	See table 3.7
	3.6	Resistance to horizontal linear static loads	See table 3.8
BWR 4	---	Resistance to functional failure from point loads parallel or perpendicular to the surface	Not assessed
Safety and accessibility in use	3.7	Rigidity of partitions to be used as a substrate for ceramic tiling	See table 3.9
	3.8	Safety against injuries by contact	Satisfactory
	3.9	Resistance to deterioration caused by: - Physical agents - Chemical agents - Biological agents	Satisfactory Satisfactory Satisfactory
BWR 5	3.10	Airborne sound insulation	See clause 3.10
Protection against noise	---	Sound absorption	Not assessed
BWR 6	3.11	Thermal resistance	See clause 3.11
Energy economy and heat retention	---	Thermal inertia	Not assessed

**Table 3.1:** Performances of Lateroyeso® non-loadbearing partition kit.

### 3.1 Reaction to fire

*EAD 210005-00-0505, section 2.2.1.*

Reaction to fire classification of the individual kit components according to Regulation (EU) 2016/364 is given in table 3.2.

Kit components	EN - Standard / ETA/Type and brand name	Reaction to fire class according to EN 13501-1
Lateroyeso® panels 5 1/C, 6 LS, 7 LD, 8 LD, 10 LD	No standard available Clay and gypsum panels	A1 (< 1% organic matter) EC Decision 96/603/EC (as amended by EC Decision 2000/605)
Gypsum based adhesive	EN 12860	A1 (< 1% organic matter) EC Decision 96/603/EC (as amended by EC Decision 2000/605)
Gypsum plaster	EN 13279-1	A1 (< 1% organic matter) EC Decision 96/603/EC (as amended by EC Decision 2000/605)
Gypsum	EN 13279-1	A1 (< 1% organic matter) EC Decision 96/603/EC (as amended by EC Decision 2000/605)
EEPS bands	EN 13163	E See note (1)
Mineral wool	EN 13162	A1 (< 1% organic matter) EC Decision 96/603/EC (as amended by EC Decision 2000/605)

(1) It shall be taken into account that EEPS elastic bands are usually protected from direct fire by other elements in most cases, such as pavements or renderings (e.g. figures A4.1 and A4.2 in annex 4).

**Table 3.2:** Reaction to fire of individual kit components.

### 3.2 Resistance to fire

*EAD 210005-00-0505, section 2.2.2.*

Resistance to fire of a single leaf partition of Lateroyeso® 6 LS with an EEPS band installed around the perimeter has been tested in accordance with EN 1364-1 and classified with a resistance to fire class **EI 90** according to EN 13501-2.

The installation provisions required to achieve the given performance is given in Annex 4.

Assessment of double leaf partitions is shown in table below:

Assembled kit	Resistance to fire class according to EN 13501-2
<b>Double leaf partition</b>	
Lateroyeso® 6 LS + MW (5 cm) + Lateroyeso® 6 LS	
Lateroyeso® 6 LS + MW (5 cm) + Lateroyeso® 7 LD	EI 180
Lateroyeso® 6 LS + MW (4 cm) + Lateroyeso® 8 LD	

**Table 3.3:** Resistance to fire class.

### 3.3 Water vapour permeability

EAD 210005-00-0505, section 2.2.4.

Water vapour resistance factor ( $\mu$ )	
Ceramic units	10
Gypsum plaster	6
Gypsum	4
Mineral wool	1

**Table 3.4:** Water vapour resistance values.

### 3.4 Resistance to structural damage and functional failure from horizontal loads

#### 3.4.1 Resistance to structural damage and functional failure from soft body impact load – 50 kg bag

The resistance to structural damage and functional failure from soft body impact load (50 kg bag) of the partition kit Lateroyeso® has been tested according to section 2.2.5.1 of EAD 210005-00-0505. The level corresponding to the use category is given in table 3.5.

Assembled kit	Use category and energy level	
	Resistance to structural damage from soft body impact load – 50 kg bag	Resistance to functional damage from soft body impact load – 50 kg bag
<b>Single leaf partition</b>		
Lateroyeso® 5 1/C	Not assessed	Not assessed
Lateroyeso® 6 LS		
Lateroyeso® 7 LD	3,10 m height: III	3,10 m height: III
Lateroyeso® 8 LD	3,40 m height: II	3,40 m height: I
Lateroyeso® 10 LD		
<b>Double leaf partition</b>		
Lateroyeso® 6 LS + MW (5 cm) + 6 LS		
Lateroyeso® 6 LS + MW (5 cm) + 7 LD	3,10 m height: III	3,10 m height: III
Lateroyeso® 6LS + MW (4 cm) + 8 LD	3,40 m height: II	3,40 m height: I

For definition of use categories: see annex B of EAD 210005-00-0505.

**Table 3.5:** Resistance to structural damage and functional failure from soft body impact load.

#### 3.4.2 Resistance to structural damage and functional failure from hard body impact – 1 kg and 0,5 kg steel ball

The resistance to structural damage and functional failure from hard body impact load (0,5 kg steel ball for functional failure and 1 kg steel ball for structural damage) of the partition kit Lateroyeso® has been tested according to section 2.2.5.2 of EAD 210005-00-0505. The level corresponding to the use category is given in table 3.6.

Assembled kit	Use category and energy level	
	Resistance to structural damage from hard body impact load – 1 kg steel ball	Resistance to functional failure from hard body impact load – 0,5 kg steel ball
<b>Single leaf partition</b>		
Lateroyeso® 5 1/C	Not assessed	Not assessed
Lateroyeso® 6 LS		
Lateroyeso® 7 LD	III	III
Lateroyeso® 8 LD		
Lateroyeso® 10 LD		
<b>Double leaf partition</b>		
Lateroyeso® 6LS + MW (5 cm) + 6LS		
Lateroyeso® 6LS + MW (5 cm) + 7LD	III	III
Lateroyeso® 6LS + MW (4 cm) + 8LD		

For definition of the categories: see annex B of EAD 210005-00-0505.

**Table 3.6:** Resistance to structural damage and functional failure from hard body impact load.

### 3.5 Resistance to structural damage and functional failure from eccentric vertical loads

The resistance to structural damage and functional failure from eccentric vertical loads of the partition kit Lateroyeso® has been tested according to section 2.2.6 of EAD 210005-00-0505. The level corresponding to the use category is given in table 3.7.

Assembled kit	Use category and energy level	
	Resistance to structural damage	Resistance to functional failure
<b>Single leaf partition</b>		
Lateroyeso® 5 1/C	Not assessed	Not assessed
Lateroyeso® 6 LS		
Lateroyeso® 7 LD	A	A
Lateroyeso® 8 LD		
Lateroyeso® 10 LD		
<b>Double leaf partition</b>		
Lateroyeso® 6LS + MW (5 cm) + 6LS		
Lateroyeso® 6LS + MW (5 cm) + 7LD	A	A
Lateroyeso® 6LS + MW (4 cm) + 8LD		

For definition of the categories: see section 2.2.6 of EAD 210005-00-0505.

**Table 3.7:** Resistance to structural damage from eccentric vertical load.

### 3.6 Resistance to horizontal linear static loads

Resistance to horizontal linear static loads of the partition kit Lateroyeso® has been tested according to section 2.2.7 of EAD 210005-00-0505. The level corresponding to the use category is given in table 3.8.



Assembled kit	Failure load
Single leaf partition Lateroyeso® 6 LS (3,40 m high)	547 N/m
Double leaf partition Lateroyeso® 6 LS + MW (5 cm) + Lateroyeso® 6 LS (3,10 m high)	747 N/m

**Table 3.8:** Resistance to horizontal linear static loads.

### 3.7 Rigidity of partitions to be used as a substrate for ceramic tiling

The rigidity of partitions to be used as a substrate for ceramic tiling of the partition kit Lateroyeso® has been tested according to section 2.2.9 of EAD 210005-00-0505. The level corresponding to the use category is given in table 3.9.

Assembled kit	Use category
<b>Single leaf partition</b>	<b>Resistance to functional damage from soft body impact load – 50 kg bag</b>
Lateroyeso® 5 1/C	Not assessed
Lateroyeso® 6 LS	Up to 3,10 m height: <b>the requirement is met.</b>
Lateroyeso® 7 LD	
Lateroyeso® 8 LD	
Lateroyeso® 10 LD	
<b>Double leaf partition</b>	
Lateroyeso® 6LS + MW (5 cm) + 6LS	Up to 3,10 m height: <b>the requirement is met.</b>
Lateroyeso® 6LS + MW (5 cm) + 7LD	
Lateroyeso® 6LS + MW (4 cm) + 8LD	

**Table 3.9:** Resistance to functional damage. Rigidity of partitions to be used as a substrate for ceramic tiling.

### 3.8 Safety against injury by contact

*Section 2.2.10 of EAD 210005-00-0505.*

When properly installed the geometry of the internal partition kit Lateroyeso® does not imply any sharp and cutting edges and there is no risk of abrasion or cutting people's skin or clothing derived from the nature of the surfaces.

### 3.9 Resistance to deterioration

*Section 2.2.11 of EAD 210005-00-0505.*

### 3.9.1 Physical agents

Resistance to deterioration caused by hygrothermal conditions, which include variations in temperature/humidity where the same changes occur on both sides of the partition at the same time, and differences in temperature and/or relative humidity on one side of a partition compared to the other, is acceptable without specific tests due to well-known used materials and the manufacturer experience.

According to the experience and the nature of these products, it is considered that localised heating from heating panels or radiators located next to the partition does not affect adversely the partition.

### 3.9.2 Chemical agents

Satisfactory without specific tests.

### 3.9.3 Biological agents

Satisfactory without specific tests.

## 3.10 Airborne sound insulation

Section 2.2.12 of EAD 210005-00-0505.

Weighted airborne sound insulation index  $R_{w}(C;C_{tr})$  for internal walls as defined in EN ISO 10140-2 and ISO 717, is expressed as follows for the following simple and double leaf partition:

Assembled kit	Airborne sound insulation index
Single leaf partition	$R_w (C;C_{tr})$ (dB)
Lateroyeso® 5 1/C	Not assessed
Lateroyeso® 6 LS	30 (-1;-2)
Lateroyeso® 7 LD	
Lateroyeso® 8 LD	Note (1)
Lateroyeso® 10 LD	
Double leaf partition	
Lateroyeso® 6 LS + MW (5 cm, 16 kg/m <sup>3</sup> ) + Lateroyeso® 6 LS	52 (-2;-4)
Lateroyeso® 6 LS + MW (5 cm, 70 kg/m <sup>3</sup> ) + Lateroyeso® 8 LD	60 (-2;-6)

(1) Single leaf partitions built with Lateroyeso® 7 LD, Lateroyeso® 8 LD and Lateroyeso® 10 LD are considered to have at least the same direct airborne sound insulation as Lateroyeso® 6 LS single leaf partitions, as they have a higher surface mass.

**Table 3.10:** Airborne sound insulation.

### 3.11 Thermal resistance

With reference to the thermal resistance (see section 2.2.14 of the EAD 210005-00-0505), calculation of the thermal insulation characteristic of the internal partition kit Lateroyeso® has been performed in accordance with EN ISO 6946.

According to calculation based on gypsum tabulated values of EN ISO 10456 (see section 5.1 or EN ISO 6946) and declared values from the CE marking of ceramic units and auxiliary components, the thermal resistance of Lateroyeso® assemblies is shown in the following table.

Lateroyeso® partition	Total thickness (mm)	Thermal resistance (R-value) (m <sup>2</sup> ·K/W)
<b>Single leaf partition</b>		
Lateroyeso® 5 1/C	50	0,57
Lateroyeso® 6 LS	60	0,60
Lateroyeso® 7 LD	70	0,62
Lateroyeso® 8 LD	80	0,65
Lateroyeso® 10 LD	100	0,73
<b>Double leaf partition</b>		
Lateroyeso® 6 LS + MW (5 cm, $\lambda=0,034$ W/m·K) + Lateroyeso® 6 LS	170	2,40
Lateroyeso® 6 LS + MW (5 cm, $\lambda=0,034$ W/m·K) + Lateroyeso® 7 LD	180	2,44
Lateroyeso® 6 LS + MW (5 cm, $\lambda=0,034$ W/m·K) + Lateroyeso® 8 LD	180	2,17

**Table 3.11:** Calculated value of thermal resistance of Lateroyeso® assemblies.

#### 4 Assessment and verification of constancy of performance (hereinafter AVCP) system applied, with reference to its legal base

According to the Decision 98/213/EC<sup>1</sup> of the European Commission, the systems of AVCP (see EC delegated regulation (EU) No 568/2014 amending Annex V to Regulation (EU) 305/2011) given in the following table apply.

System	Intended use(s)	Level or class	System
Lateroyeso®	Internal partition kits for use as non-loadbearing walls subjected to fire regulations.	Any	3
	Internal partition kits for use as non-loadbearing walls not subjected to fire regulations.		4

**Table 4.1:** AVCP system.

<sup>1</sup> Official Journal of the European Union (OJEU) L80/41 of 18/03/1998.

## 5 Technical details necessary for the implementation of the AVCP system, as provided for in the applicable EAD

All the necessary technical details for the implementation of the AVCP system are laid down in the *Control Plan* deposited with the ITeC<sup>2</sup>, with which the factory production control shall be in accordance.

Kit components not manufactured by the kit manufacturer shall also be controlled according to the Control Plan.

Where materials/components are not manufactured and tested by the supplier in accordance with agreed methods, then they shall be subject to suitable checks/tests by the kit manufacturer before acceptance.

Any change in the manufacturing procedure which may affect the properties of the product shall be notified and the necessary type-testing revised according to the *Control Plan*.

Issued in Barcelona on 25 November 2019

by the Catalonia Institute of Construction Technology.



Ferran Bermejo Nualart  
Technical Director, ITeC

---

<sup>2</sup> The *Control Plan* is a confidential part of the ETA and is only handed over to the notified certification body involved in the assessment and verification of constancy of performance.

### ANNEX 1: Description of Lateroyeso® panels

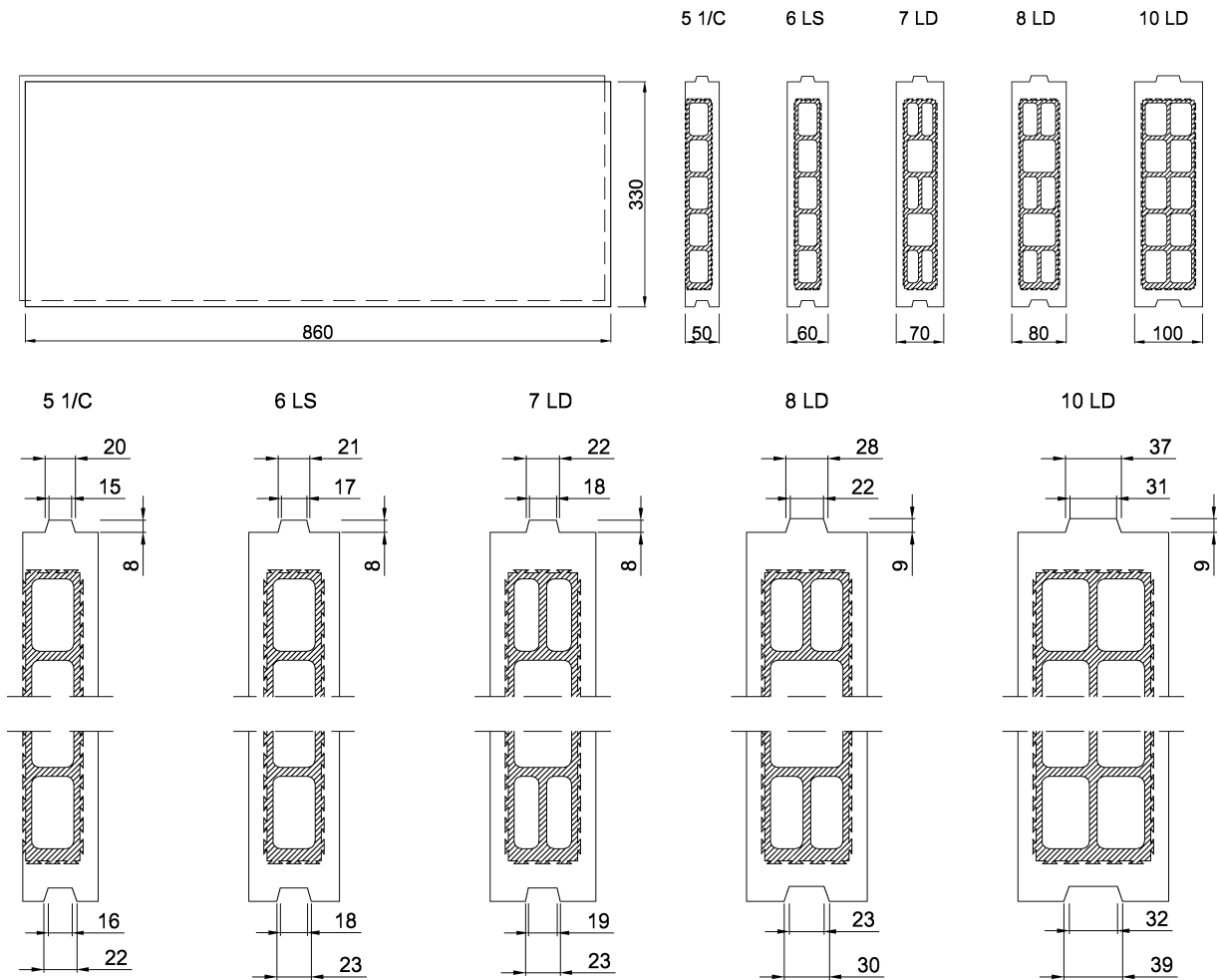


Figure A1.1: Lateroyeso® panels geometry.

Characteristics	Lateroyeso® panels														
	5 1/C			6 LS			7 LD			8 LD			10 LD		
Dimensions and tolerances (mm)	L	H	T	L	H	T	L	H	T	L	H	T	L	H	T
	860	330	50	860	330	60	860	330	70	860	330	80	860	330	100
	(± 7)	(± 1)	(± 0,5)	(± 7)	(± 1)	(± 0,5)	(± 7)	(± 1)	(± 0,5)	(± 7)	(± 1)	(± 0,5)	(± 7)	(± 1)	(± 0,5)
Gypsum thickness (mm)	average: 10 ± 2,5 minimum ≥ 4														
Flatness (mm)	< 1														
Mass (kg)	14,0			18,5			19,0			19,5			22,5		
Surface hardness (Shore C)	> 55														
Flexion failure load (daN)	> 130														

Table A1.1: Main characteristics of Lateroyeso® panels.

## **ANNEX 2: Description of other kit components**

This annex indicates the main characteristics of the kit components not manufactured by the ETA holder. Only characteristics related to the end use of each component are indicated. The kit holder checks the conformity with the specification given below.

### **A2.1 Gypsum based adhesive**

CE marked according to EN 12860, with the following specification:

- Reaction to fire: Class A1

It shall be demonstrated, according to EN 12860:

- Adhesive strength on gypsum: minimum in 3 out of 4 tests failures must occur in the gypsum substrate
- Mean adherence strength on Lateroyeso® > 0,45 MPa

### **A2.2 Gypsum plaster**

CE marked according to EN 13279-1, with the following specification:

- Reaction to fire: Class A1
- C6 according to EN 13279-1

### **A2.3 Gypsum**

CE marked according to EN 13279-1, with the following specification:

- Reaction to fire: Class A1
- B1 according to EN 13279-1

### **A2.4 EEPS elastic bands**

The product from which it is cut out is CE marked according to EN 13163, with the following specification:

- Dynamic Rigidity: SD15 (<15 MN/m<sup>3</sup>)
- Reaction to fire: Class E

Product thickness ≥ 15 mm.

### ANNEX 3: Description of other components of the system

The auxiliary products needed for the execution of Lateroyeso® partitions in the works which do not pertain to the kit, and their main specifications are described below.

#### Mineral wool

It shall be CE marked according to EN 13162, with the following specification:

- Reaction to fire: Class A1
- Thermal conductivity:  $\lambda \leq 0,034 \text{ W/m}\cdot\text{K}$
- Short term water absorption:  $WS (\leq 1 \text{ kg/m}^2)$
- Water vapour permeability: MU1
- Density:  $\rho \geq 70 \text{ kg/m}^3$
- Product thickness  $\geq 50 \text{ mm}$
- With regard to BWR5 *Protection against noise*, two different mineral wools have been declared:
  - o Case 1: with the characteristics described above and with an air flow resistivity of AFR20 ( $> 20 \text{ kPa}\cdot\text{s/m}^2$ )
  - o Case 2: with the characteristics described above taking into account the following differences:
    - Air flow resistivity: AFR5 ( $> 5 \text{ kPa}\cdot\text{s/m}^2$ )
    - Density:  $\geq 16 \text{ kg/m}^3$

#### Door and window frames

The assembled system is compatible with door and window frames used normally in masonry works. Mounting instructions are deposited with the ITeC.

#### Corner profiles

PVC or galvanised steel corner profiles.

#### Reinforcing mesh

High resistance threads compatible with gypsum.

#### Ties

Stainless or galvanised steel ties, according to EN 845-1, to fasten the partition to other elements, such as walls or frames, when needed.

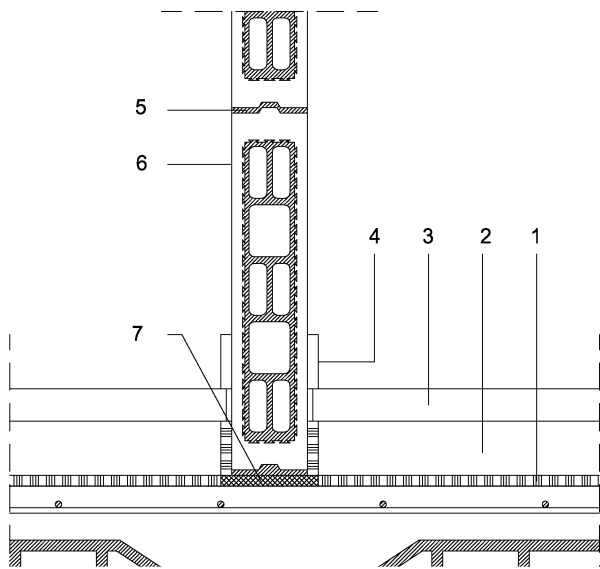
#### Fixings

Common fixings for LD ceramic units, according to EN 771-1, can be used on Lateroyeso® partitions.

#### Tiling

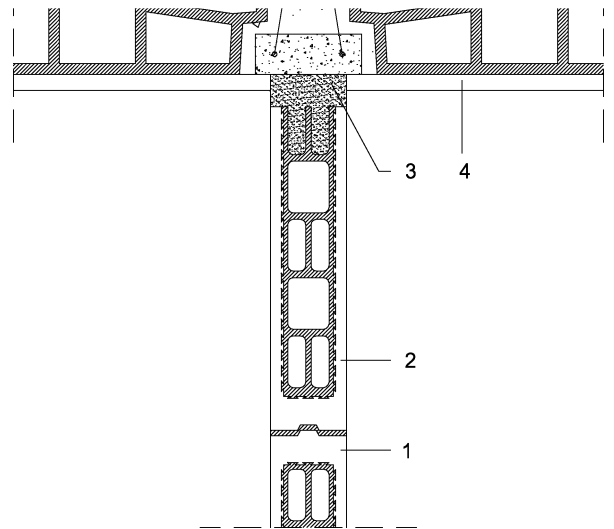
Lateroyeso® partitions allow the installation of tiling on its surface, taking into account that special adhesives for gypsum surfaces must be used. Both tiles and adhesives must be CE marked according to EN 14411 and EN 12004, respectively.

### ANNEX 4: Essential construction details



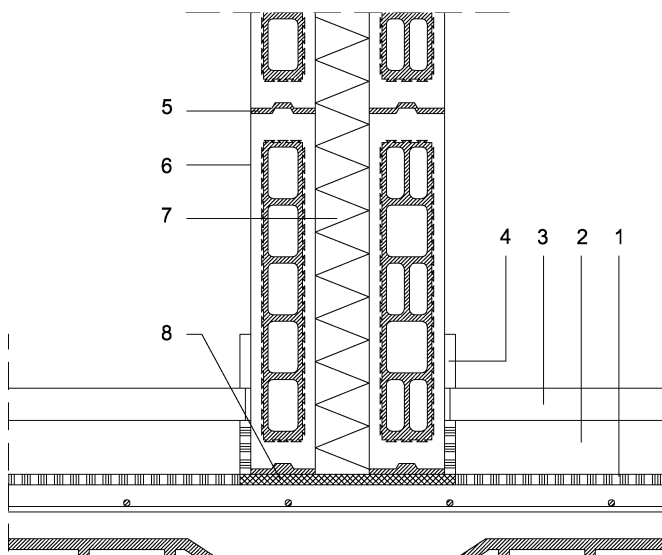
- |                      |                              |
|----------------------|------------------------------|
| 1. Anti-impact sheet | 4. Skirting board            |
| 2. Levelling mortar  | 5. Adhesive (gypsum based)   |
| 3. Pavement          | 6. Lateroyeso® panel         |
|                      | 7. EEPS elastic band (15 mm) |

Figure A4.1: Single leaf partition base.



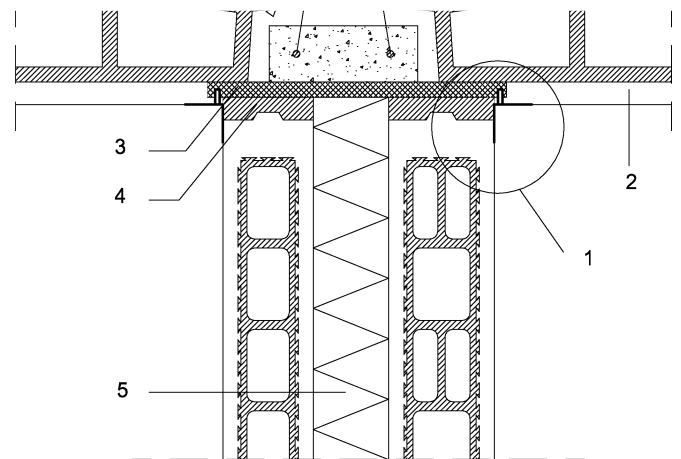
- |                                     |
|-------------------------------------|
| 1. Adhesive                         |
| 2. Lateroyeso® panel                |
| 3. Filler paste (adhesive + gypsum) |
| 4. Gypsum plaster                   |

Figure A4.3: Single leaf partition top.



- |                      |                              |
|----------------------|------------------------------|
| 1. Anti-impact sheet | 5. Adhesive (gypsum based)   |
| 2. Levelling mortar  | 6. Lateroyeso® panel         |
| 3. Pavement          | 7. Mineral wool insulation   |
| 4. Skirting board    | 8. EEPS elastic band (15 mm) |

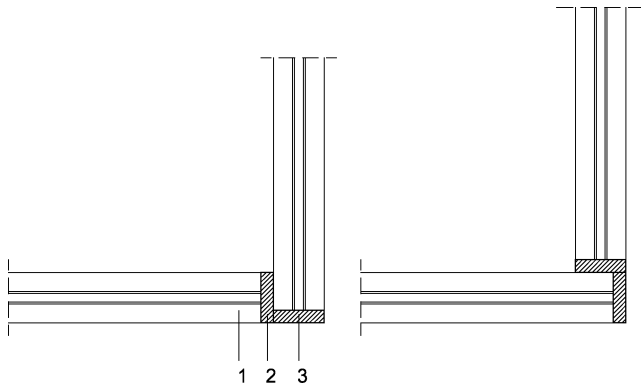
Figure A4.2: Double leaf partition base.



- |  |
|--|
| 1. Gypsum plaster disconnection covered with a paper strip |
| 2. Gypsum plaster  |
| 3. EEPS elastic band (15 mm)                               |
| 4. Filler paste (adhesive + gypsum)                        |
| 5. Mineral wool insulation                                 |

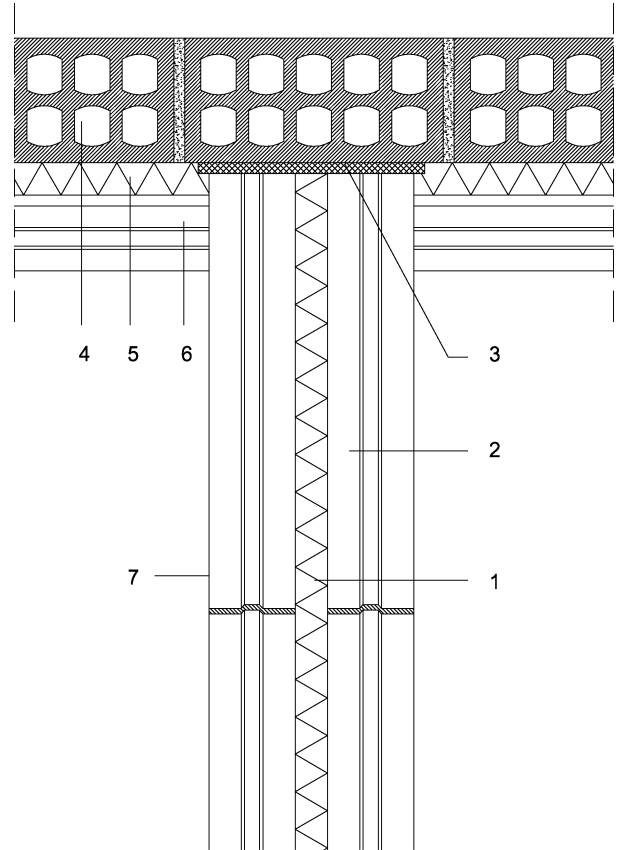
Figure A4.4: Double leaf partition top.





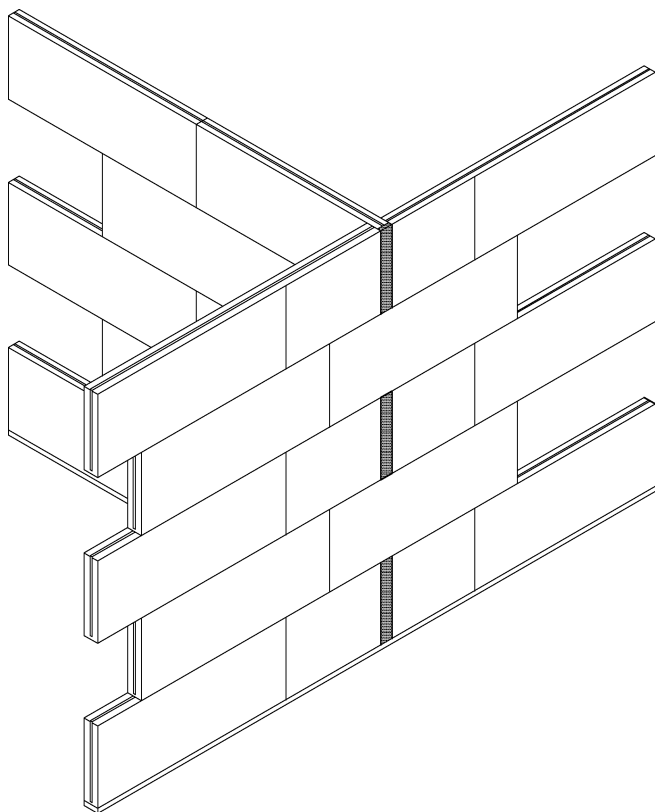
1. Lateroyeso® panel
2. Adhesive (gypsum based)
3. Filler paste (adhesive + gypsum) (10 mm to 20 mm)

**Figure A4.5:** Corner (even and odd rows).

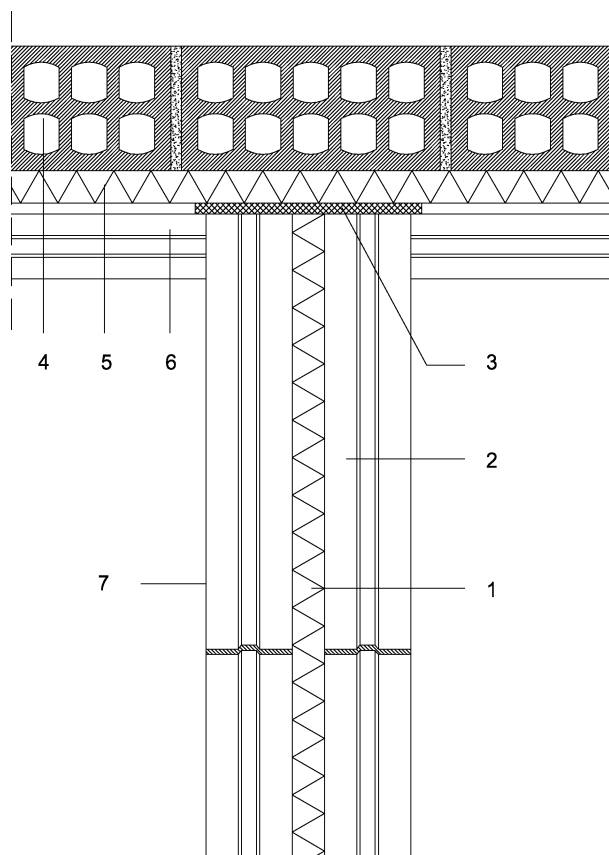


1. Mineral wool insulation
2. Lateroyeso® panel
3. EEPS elastic band (15 mm)
4. External wall
5. Façade insulation
6. Lateroyeso® lining for external wall
7. Gypsum plaster (2 mm)

**Figure A4.7:** External wall. Joining between double leaf partition and external brick wall.

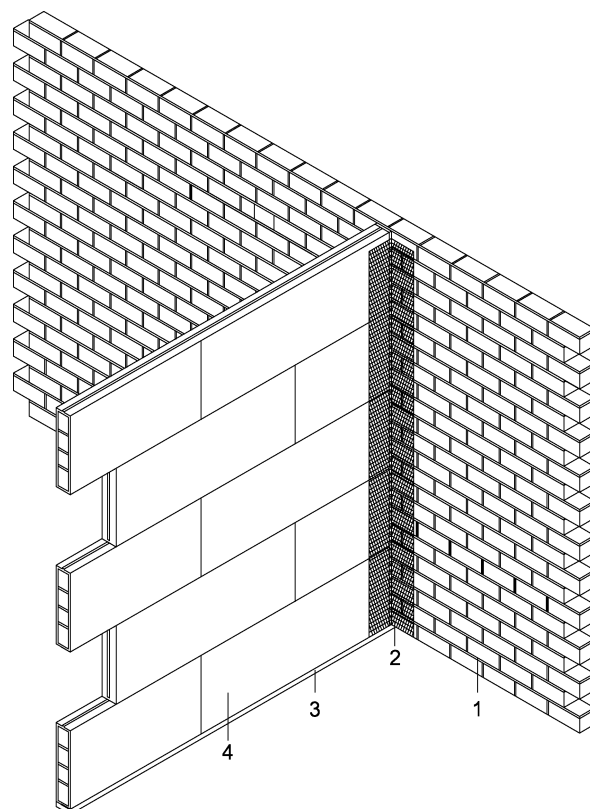


**Figure A4.6:** T configuration.



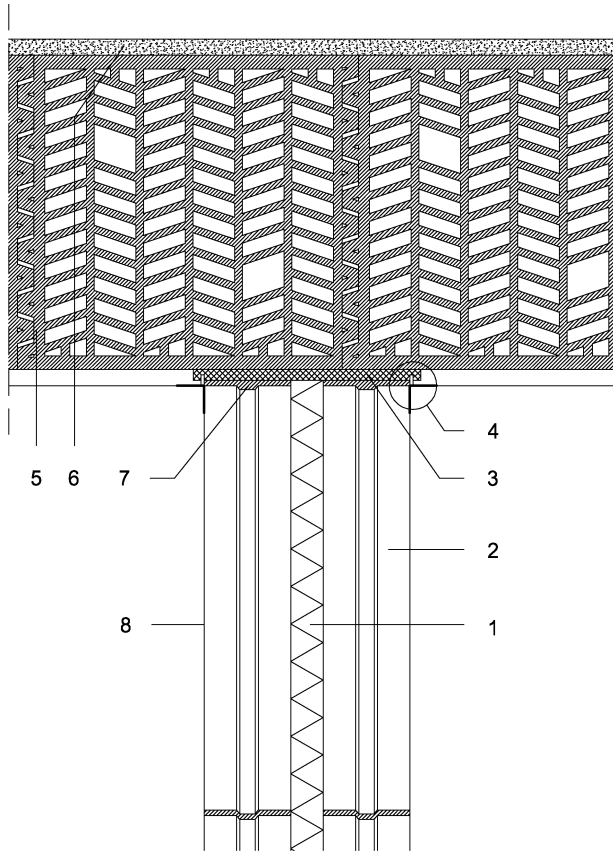
1. Mineral wool insulation
2. Lateroyeso® panel
3. EEPS elastic band (15 mm)
4. External wall
5. Façade insulation
6. Lateroyeso® lining for external wall
7. Gypsum plaster (2 mm)

**Figure A4.8:** External wall. Joining between double leaf partition and external insulation (for rigid insulations).



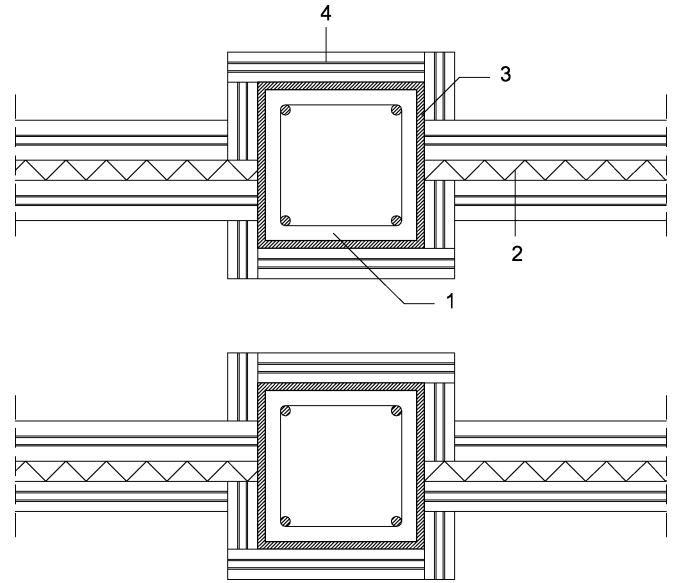
1. Different material wall
2. Reinforcement mesh
3. EEPS elastic band (15 mm)
4. Lateroyeso® partition

**Figure A4.9:** Joining between single leaf partition and a different material wall.



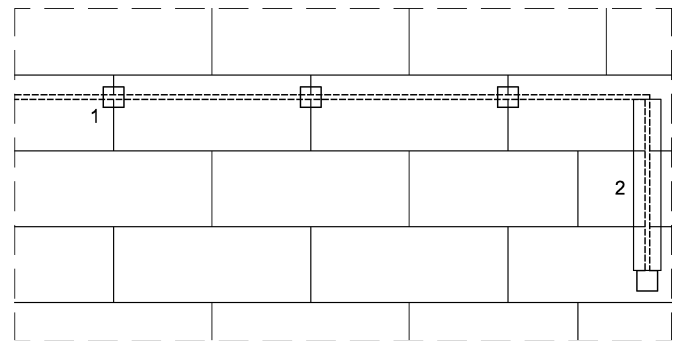
1. Mineral wool insulation
2. Lateroyeso® panel
3. EEPS elastic band (15 mm)
4. Gypsum plaster disconnection covered with a paper strip
5. Different material wall
6. External façade rendering
7. Adhesive (gypsum based)
8. Gypsum plaster (2 mm)

**Figure A4.10:** Joining between double leaf partition and a different material wall.



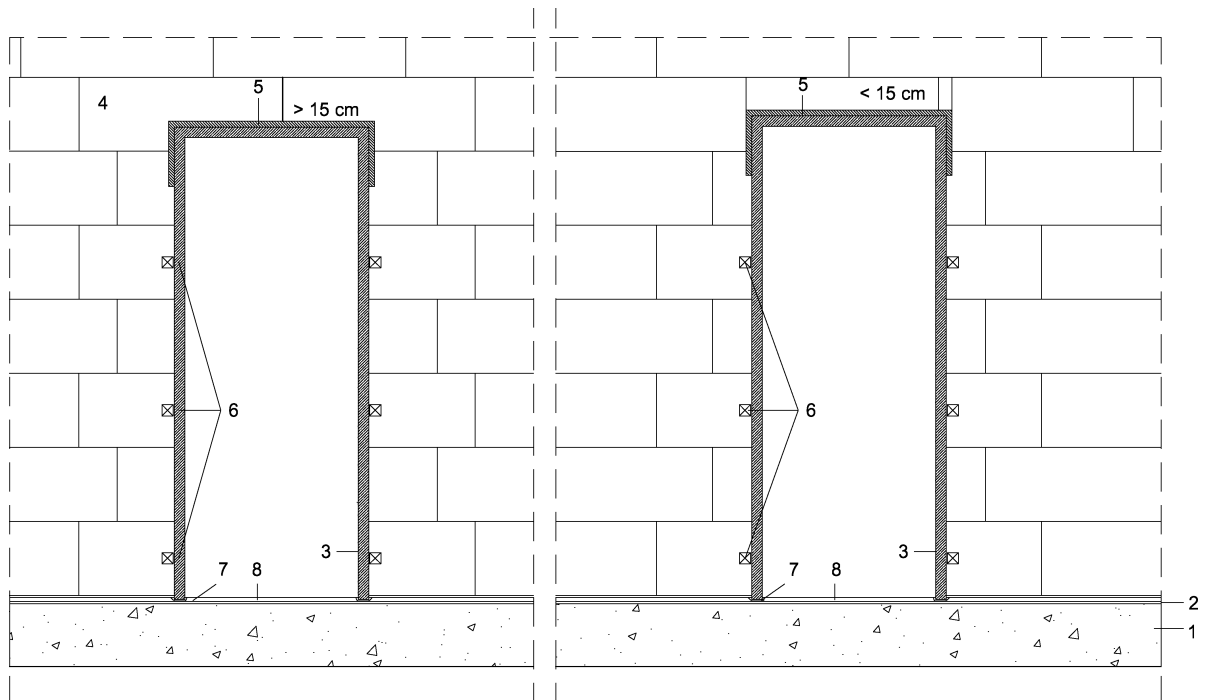
1. Column
2. Mineral wool insulation
3. EEPS elastic band (15 mm) surrounding the column
4. Lateroyeso® column lining

**Figure A4.11:** Columns lining (even and odd rows).



1. Connections between horizontal perforations of Lateroyeso® panels (case of 7 LD and 8LD).
2. Vertical continuous channel

**Figure A4.12:** Channels for plumbing or electric supply.



- |                      |                                      |                    |
|----------------------|--------------------------------------|--------------------|
| 1. Floor slab        | 4. Gun-shape cut Lateroyeso® panel   | 7. Door frame base |
| 2. Anti-impact sheet | 5. Elastic band on top of door frame | 8. Pavement        |
| 3. Door frame        | 6. Door frame anchors                |                    |

**Figure A4.13:** Configuration around door frames (free height of cut panel above the door > 15 cm and < 15 cm).